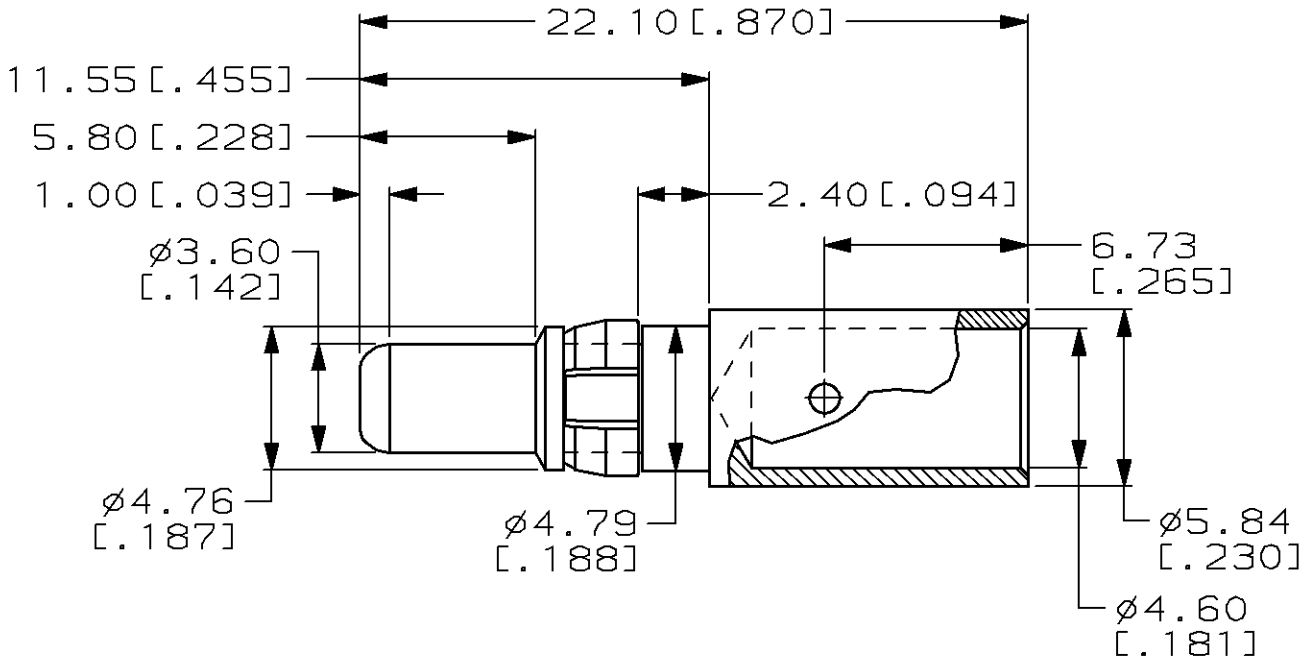


| | | | | | |
|-----------|------------|-------------|------|-----|------|
| LOC AD | DIST 25 | REVISIONS | | | |
| P | LTR | DESCRIPTION | DATE | DWN | APVD |
| | 0 | DRAWN | - | - | - |

1. WIRE BARREL WILL ACCEPT 8 AWG WIRE.
2. MATES WITH PART NUMBER 148432-1.
3. RECOMMENDED CRIMPING TOOL: DANIELS TOOL #M300-BT, POSITIONER PART NUMBER SP689, SETTING #7, STRIP LENGTH 8.13[.320].



RELEASED FOR PUBLICATION

THIS DRAWING IS UNPUBLISHED.

ALL RIGHTS RESERVED. BY AMP INCORPORATED. COPYRIGHT 19

| | | |
|---------------------------|----------------------------------|-------------|
| 0.00076 [.000030] GOLD | CONTACT; BERYLLIUM COPPER | 148430-1 |
| | RETAINING RING; BERYLLIUM COPPER | |
| FINISH | MATERIAL | PART NUMBER |

| | | | | | | |
|--|----------------------|---------|---|-----------|------------|---------------|
| DIMENSIONS: mm | DWN L. BRINER | 9/23/98 | MATERIAL | - | FINISH | - |
| | CHK R. PATTERSON | 9/23/98 | AMP Incorporated Harrisburg, PA 17105-3608 | | | |
| TOLERANCES UNLESS OTHERWISE SPECIFIED: | APVD R. PATTERSON | 9/23/98 | | | | |
| 0 PLC ±- | PRODUCT SPEC | - | SIZE | CAGE CODE | DRAWING NO | RESTRICTED TO |
| 1 PLC ±- | APPLICATION SPEC | - | A4 | 00779 | C- 148430 | - |
| 2 PLC ±0.13 [.005] | WEIGHT | - | CUSTOMER DRAWING | | | SCALE 4:1 |
| 3 PLC ±- | | | | | | SHEET 1 OF 1 |
| 4 PLC ±- | | | | | | REV 0 |
| ANGLES ±- | | | | | | |

